



# Henry R Ayton Limited

40 The Cutts  
Derrigahy  
Dunmurry  
Belfast  
Tel: 02890618511  
Fax: 02890602436  
Email: Sales@hrayton.com

## Pressure Gauge Enquiry Form

Company Name: \_\_\_\_\_

Contact: \_\_\_\_\_

Tel No: \_\_\_\_\_

Email: \_\_\_\_\_

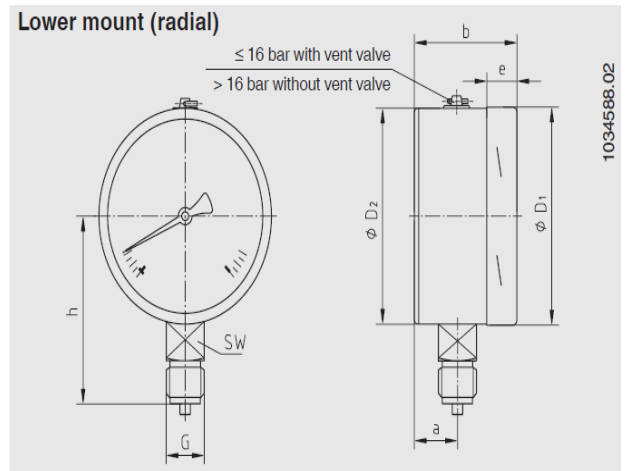


## Ordering Information:

Model	
Nominal Size	
Scale Range	
Process Connection	
Connection Location	
Options	

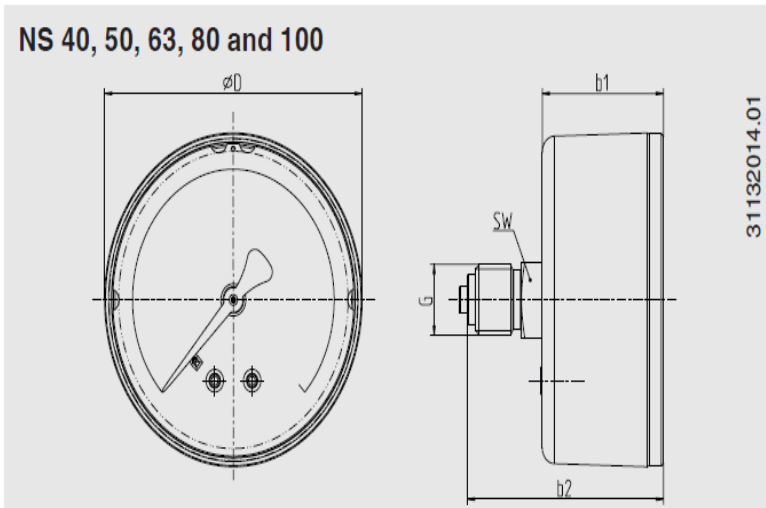
## Dimensions in mm

### Standard version



## Model 111.12, back mount

NS 40, 50, 63, 80 and 100



## Lower back mount

